

808nm Conduction Cooled Single Bar Stack (QCW)

Introduction

Conduction-cooled single bar array, which can achieve continuous or quasi-continuous high power output, is widely applied in laser pumping, cutting and medical, etc.

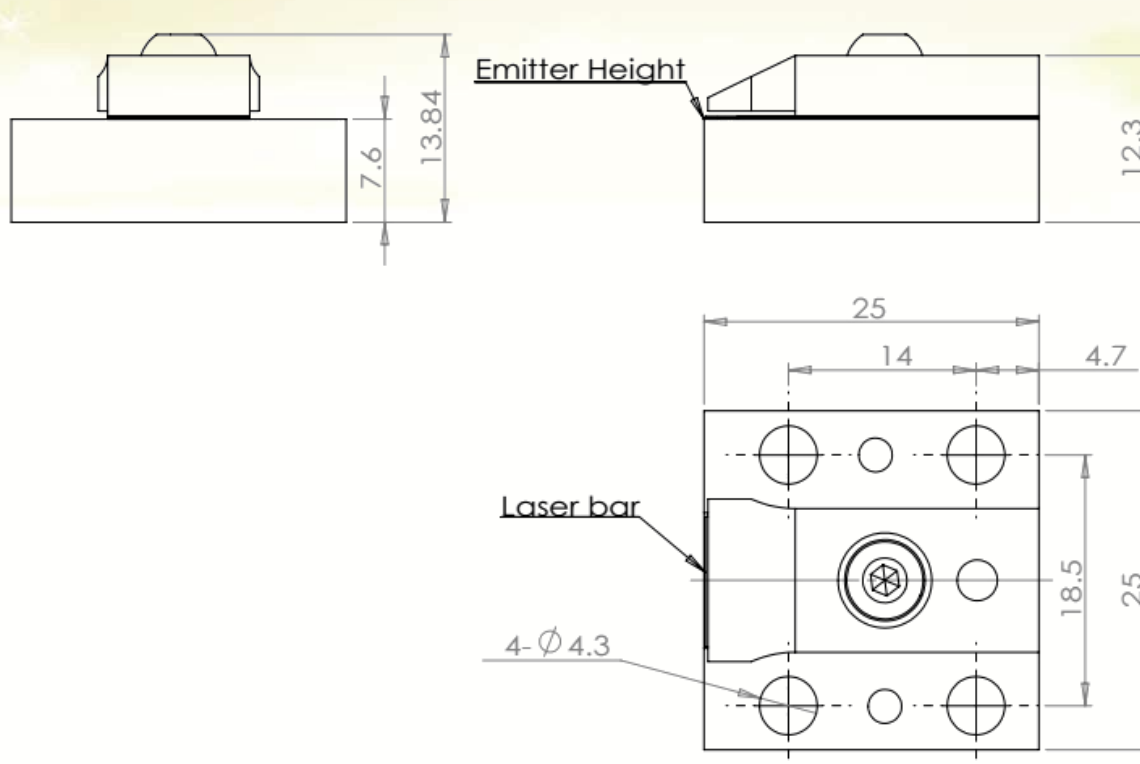


Tech Parameters (25°C)

Conduction-cooled Single Bar Stack (Quasi- Continuous)				
Parameter		Unit	LDAQ1-0808-100W	LDAQ1-0808-300W
Optical Parameter	Operation Model	-	QCW	
	Center Wavelength	nm	808 ±5	
	Output Power	W	100	300
	Spectral Width	nm	< 5	< 3
	Lighting Unit Qty.	pc	100	62
	Wavelength & Temperature Ratio	nm/°C	0.28	0.28
	Fast Axis Divergence	deg	< 35	< 39
	Slow Axis Divergence	deg	< 10	< 9
	Duty Ratio	%	≤ 3	≤ 4
Electrical Parameter	Threshold Current	A	< 22	< 20
	Operating Current	A	< 120	< 295
	Operating Voltage	V	< 2.1	< 2.4
Thermal Parameter	Operating Temperature	°C	15 ~ 35	
	Storage Temperature	°C	-10 ~ 60	



Package Information



Notice

1. Item model notice: LDAQ2(item model)-8080(center wavelength)-****(output power)
2. Package data is only for reference, which can be customized as client's design drawing.
3. Please make sure laser diode is operated within 15-35°C, as higher temperature will cause increased threshold current, lower exchange rate and accelerate the aging.
4. Please take measure to avoid of condensation, which will cause aging of laser diode.
5. For more information, please contact Hi-Tech Optoelectronics Co., Ltd.

