

## 50W DPL Module

### Item Introduction

DPL is abbreviated to Diode Pump Solid State Laser, in which laser diode is adopted as the pumping optical source. As compared with former Xenon lamp pumping laser diode, its features are construction more compact, more applicable and longer lifespan, which is widely used in laser marking, medical, cutting and laser texturing.

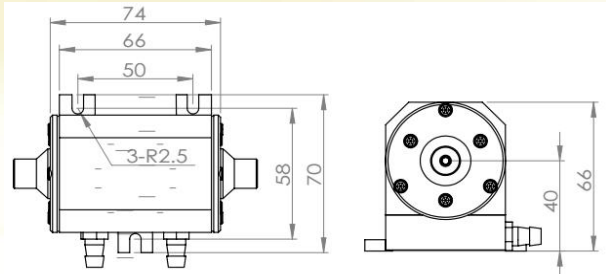


### Parameters (20°C)

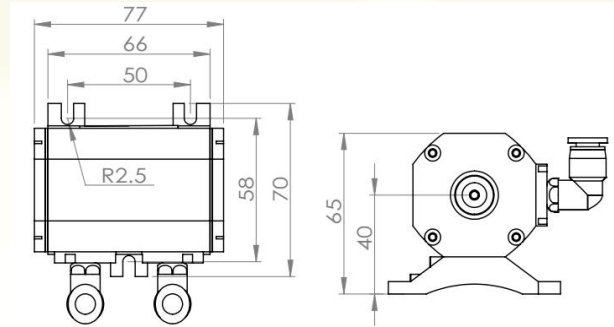
50W DPL Module				
Parameters		Unit	50W(50D/50S)	50W(50E/50T)
Optical Parameter	CW Output power	W	≥ 40	≥ 60
	Center Wavelength	nm	1064	1064
	Emitting height	mm	40/45	40/45
Electrical Parameter	Threshold Current $I_{th}$	A	≤ 8	≤ 8
	Operating Current $I_o$	A	≤ 20	≤ 20
	Forward Bias Voltage	V	≤ 18	≤ 24
Optical Parameter	Operating Temperature	°C	21±3	21±3
	Storage Temperature	°C	5 ~ 50	5 ~ 50
	Water Current	LMP	4 ~ 6	4 ~ 6
	Water Pressure	MPa	≤ 0.3	≤ 0.3
Others	Crystal Rod Size	mm	Φ3*65	Φ3*65
	Weight	KG	≤ 1.0	≤ 1.0



## Package Information



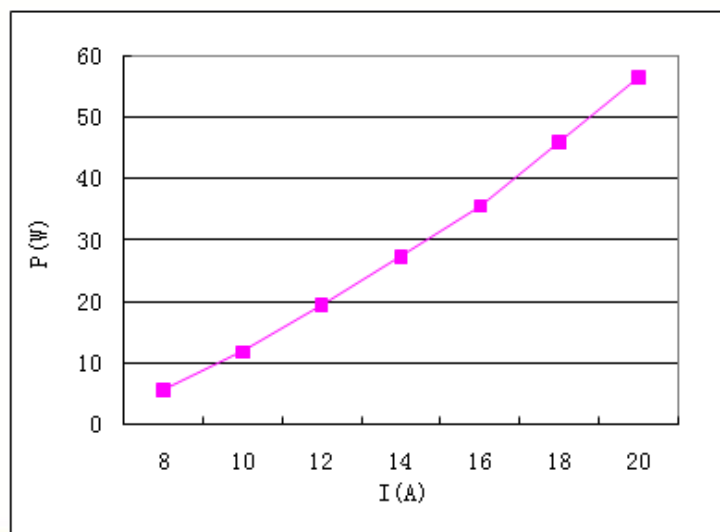
50W ( 50D/50S/50E )



50W ( 50T )

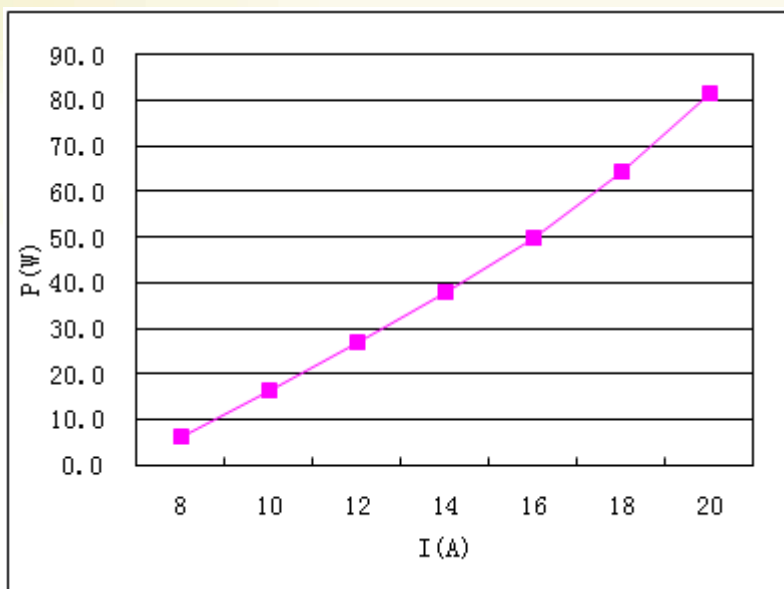
## Function Curve

Curve data is basis on following testing: Cavity length is 450nm, output mirror transmission is 20%, operating temperature is 20°C.



50W ( 50S ) DPL





50W ( 50E ) DPL

## Notice

For more information, please contact Hi-Tech Optoelectronics Co., Ltd.



Add: Shahe Industrial Park, Changping District, Beijing, China  
Tel: +86-10-6076 9887 Fax: +86-10-6076 9887-699  
Web: www.htoe.com.cn Email: sales@htoe.com.cn

