

808nm 5W Single Diode Laser

Applications

- Medical illumination
- Target Indication
- Laser Show
- Stage Lighting

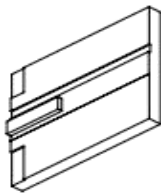
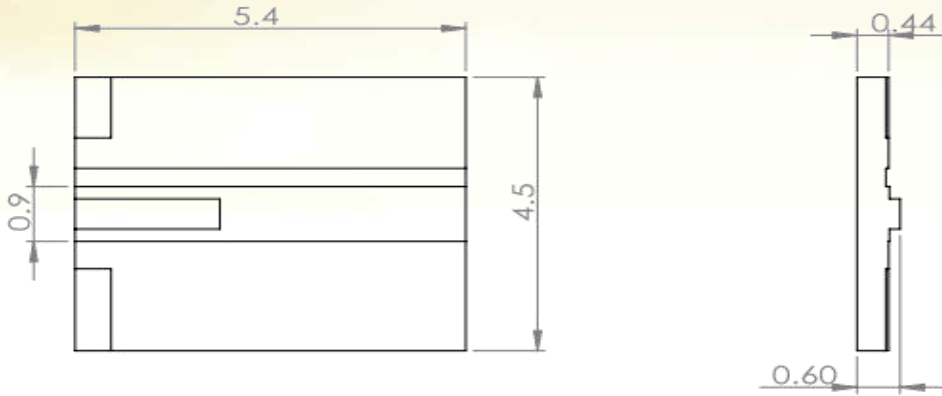


Parameters (20°C)

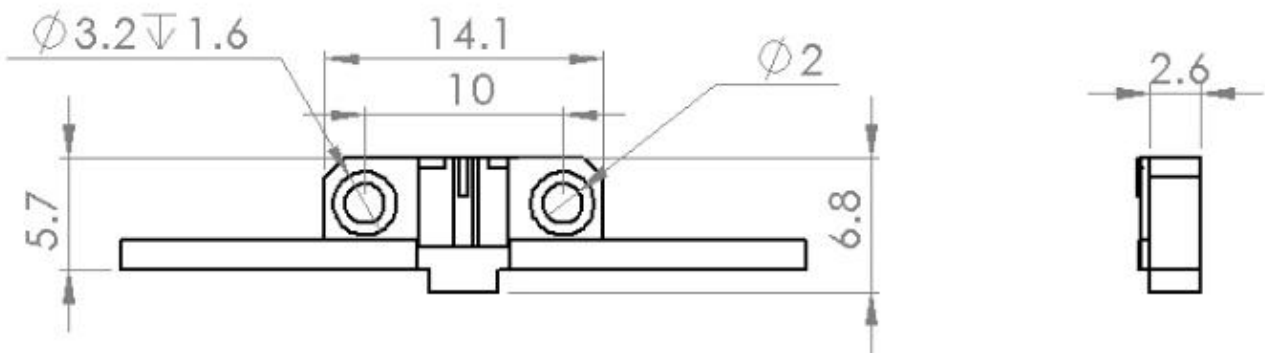
COS/F Package Single Laser Diode			
Parameter		Unit	LDMC-0808-005W-*5
Optical Parameter	Output power	W	5
	Lasing Wavelength	nm	808±10
	Spectral Width	nm	≤5
	Emitting Area width	μm	200
	Temperature Coefficient	nm/°C	0.30
	Fast Axis Divergence	deg	<40
	Slow Axis Divergence	deg	<10
Electrical Parameter	Slope Efficiency	W/A	≥1.08
	Threshold Current	A	≤0.90
	Operating Current	A	≤5.40
	Operating Voltage	V	<2.00
Others	Package	-	COS/F Package
	Operating Temperature	°C	15 ~ 30
	Storage Temperature	°C	-40 ~ 60



Package Information



COS Package



F Package





海特光电有限责任公司
Hi-Tech Optoelectronics Co.,Ltd.

Notice

1. Item model notice: LDM(Item model),****(Center wavelength),****(Output power),
***(Heat sink structure and item width).
2. Data in the sheet are all basis on C-mount package heat sink testing.
3. For more information, please contact Hi-Tech Optoelectronics Co., Ltd.



Add: Shahe Industrial Park, Changping District, Beijing, China
Tel: +86-10-6076 9887 Fax: +86-10-6076 9887-699
Web: www.htoe.com.cn Email: sales@htoe.com.cn

