

# 940nm 3W Single Diode Laser(AuSn)

## Applications

- Medical Illumination
- Target Indication
- Laser Show
- Stage Lighting

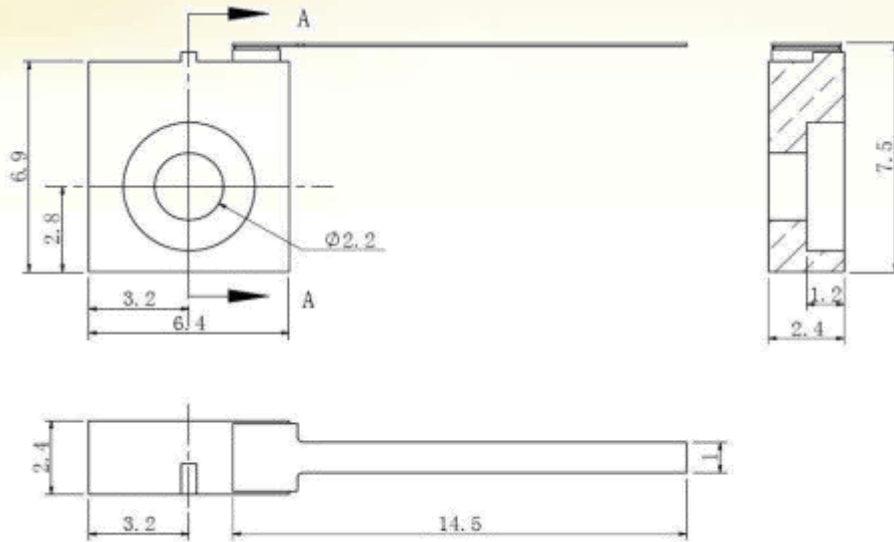


## Parameters (20°C)

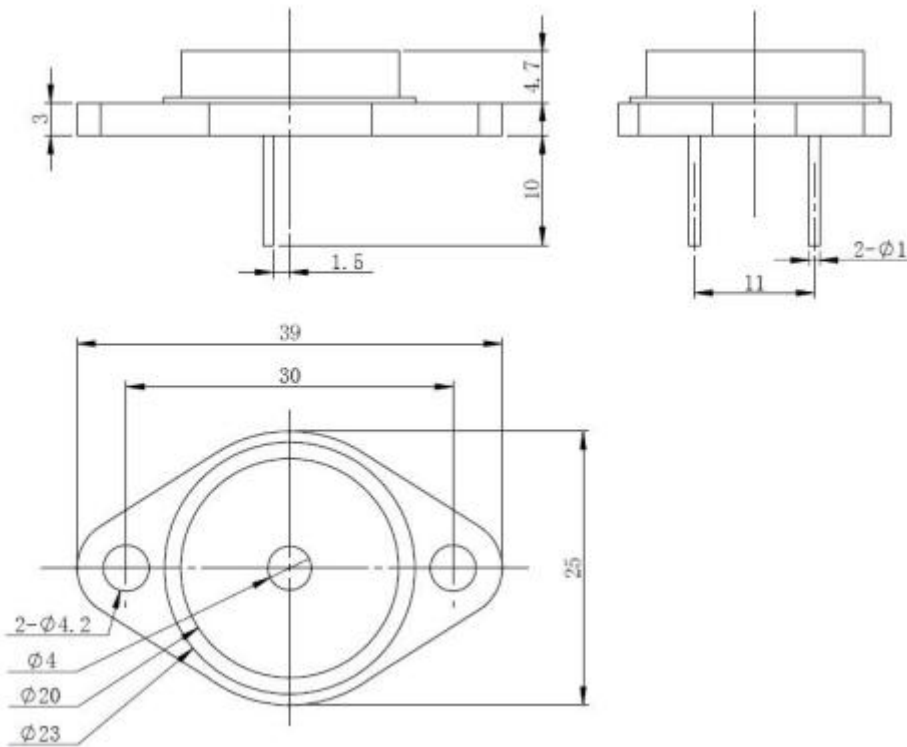
C-Mount/TO3 Single Diode Laser (AuSn)					
Item	Parameter	Unit	LDM-0940-003W-*3		
			Min.	Typical	Max.
Electrical Parameter	Output power	W	-	3	-
	Lasing Wavelength	nm	930	940	950
	Spectral Width	nm	-	2.3	3.5
	Emitting Area width	μm	-	100	-
	Temperature Coefficient	nm/°C	-	0.30	-
	Fast Axis Divergence	deg	-	28	35
	Slow Axis Divergence	deg	-	5	8
Optical Parameter	Slope Efficiency	W/A	1.00	-	-
	Threshold Current	A	-	0.45	0.65
	Operating Current	A	-	3.10	3.30
	Operating Voltage	V	-	1.70	2.00
Others	Package	-	C-Mount/TO3		
	Operating Temperature	°C	10 ~ 35		
	Storage Temperature	°C	-10 ~ 60		



## Package Information



### C-Mount Package



### T03 Package



Add: Shahe Industrial Park, Changping District, Beijing, China  
Tel: +86-10-6076 9887 Fax: +86-10-6076 9887-699  
Web: [www.htoe.com.cn](http://www.htoe.com.cn) Email: [sales@htoe.com.cn](mailto:sales@htoe.com.cn)





海特光电有限责任公司  
Hi-Tech Optoelectronics Co.,Ltd.

## Notice

---

1. Item model notice: LDM(Item model),\*\*\*\*( Center wavelength),\*\*\*\*(Output power), \*\*(Heat sink structure and item width).
2. Data in the sheet are all basis on C-mount package heat sink testing.
3. For more information, please contact Hi-Tech Optoelectronics Co., Ltd.



Add: Shahe Industrial Park, Changping District, Beijing, China  
Tel: +86-10-6076 9887      Fax: +86-10-6076 9887-699  
Web: [www.htoe.com.cn](http://www.htoe.com.cn)      Email: [sales@htoe.com.cn](mailto:sales@htoe.com.cn)

